



GLASSCRAFTERS INC.

GLASSCRAFTERS, INC
193 Veterans Blvd., Carlstadt, NJ 07072

1+(888) 683-1362 -- (Fax) 201-525-1117
sales@glasscraftersinc.com

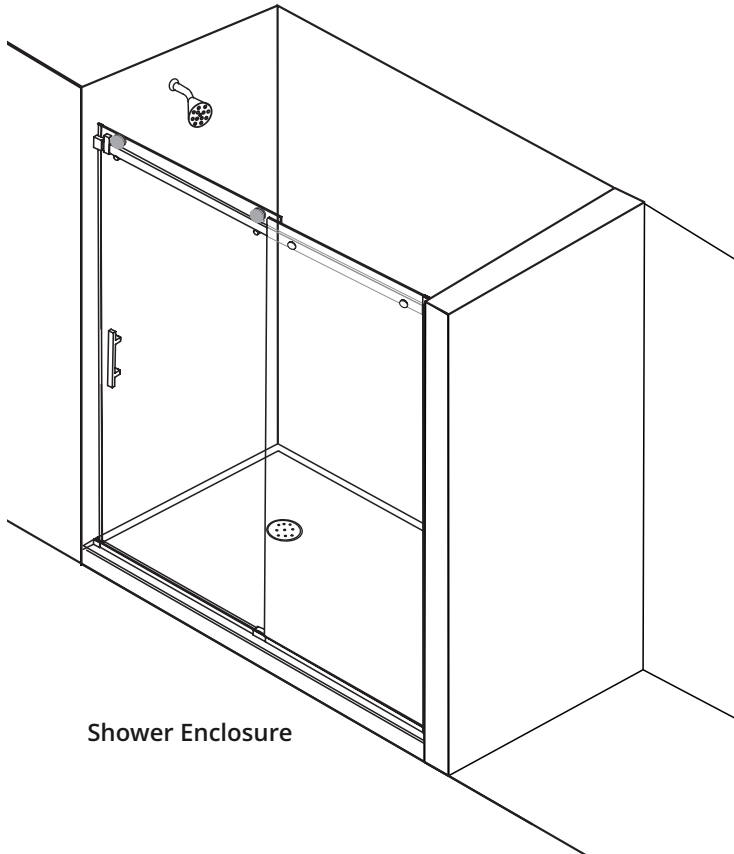
ACERO Frameless Shower/Tub Enclosure Installation Instructions

The following instruction sheet is for the installation of the models:

SHOWER ENCLOSURES: AS-60T-38 57"- 60"w X 76"h , AS-54T-38 51"- 54"w X 76"h, AS-48T-38 45"- 48"w X 76"h

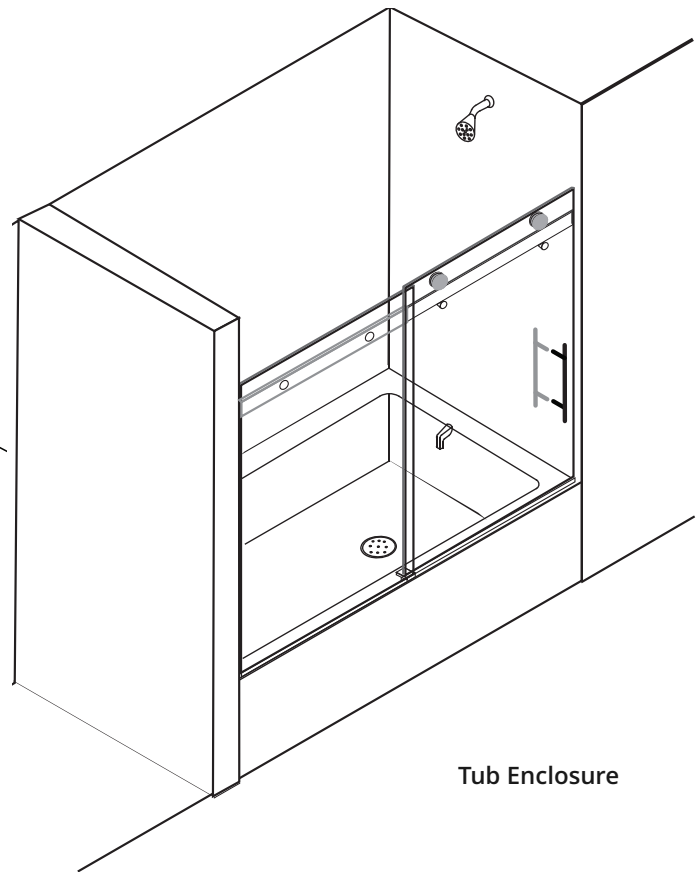
TUB ENCLOSURES: AT-66T-38 63"- 66"w X 66"h , AT-60T-38 57"- 60"w X 66"h

All Units are available in four finishes: Brushed Stainless Steel (BSS), Polished Stainless Steel (PSS), Iron Black (IBK) or Oil Rubbed Bronze (ORB)



Shower Enclosure

FOR BEST RESULTS
Glasscrafters recommends the installation
be performed by a trained installer.



Tub Enclosure

**INSTALLING
THESE UNITS
REQUIRES
2 PERSONS**

**SAVE THESE INSTRUCTIONS
FOR FUTURE REFERENCE**

WARNING: TO INSTALL ON CAST IRON, FIBERGLASS, ACRYLIC OR RESIN TUB OR SHOWER BASE
Check with the tub or shower base manufacturer to determine the tooling required.

Please use extreme care while unpacking and handling your GlassCrafters' Shower or Tub Enclosure. If you need replacement parts or have installation questions and to report any damage contact our GlassCrafters' customer service team at 888-683-1362, Monday thru Friday from 8:00 am to 5:00 pm (EST). Installation shall be made according to manufacturer instructions and drawing. Glasscrafters recommends the installation be performed by a trained installer.

CAUTION: Risk of injury or product damage. Do not attempt to cut tempered glass.

IMPORTANT! Children should be supervised at all times while in Tub/Shower Enclosure.

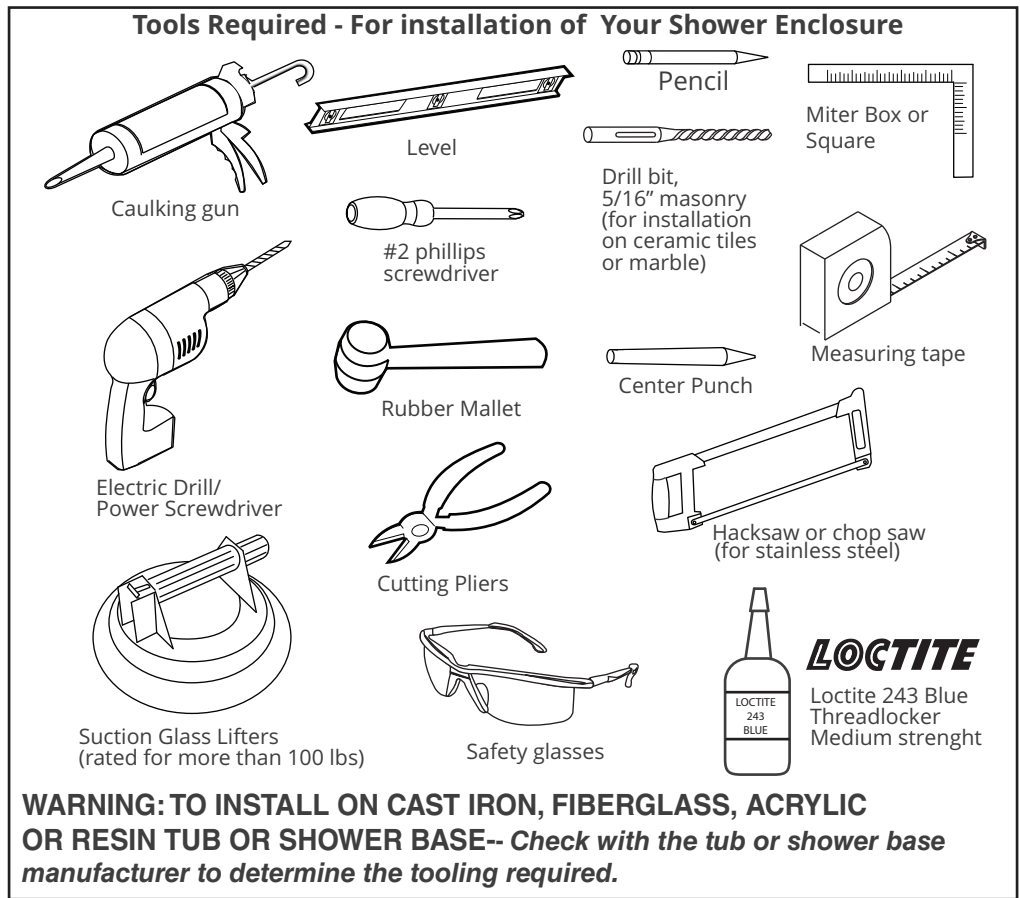
IMPORTANT! Never use Door Handle or Towel Bar to support yourself. This is for towels or wash cloths only.

PLEASE STOP THE INSTALLATION AND CONFIRM WITH FACTORY IF THE ACTUAL NUMBER OR TYPE OF PARTS IS DIFFERENT

Parts Description

ITEM NO.	DESCRIPTION	QTY.
1	Vertical Wall Jamb	1
2	Fixed Glass Panel	1
3	Glass Door.....	1
4	Door Handle Assembly	1
6	Bottom "U" Channel.....	1
7	Clear Setting Blocks	3
8	Center Guide Assembly	1
9	Horizontal Rail	1
10	Horizontal Rail Mounting (with Panel Screw Assembly	
	Wall Brackets	2
11	Plastic Guide Insert	1
12	Door Stop/Bumper	2
13	Roller Assembly.....	2
14	Panel Screw Assembly	2
	(with Header	
15	Anti-Lift Standoff Assembly.....	2
16	Clear "Bubble" Vinyl Bumper	1
17	End Cap	1
18	Curb Dam	1
19	Clear "H" Vinyl	1
20	Plastic Wall Anchors.....	12
21	Pan Head Screws, #8 x 1 1/4" ..	7
22	Flat Head Screws, #8 x 1 1/4" ..	5
23	Hex Key Set (4).....	1
24	Splash Guard	1

Tools Required - For installation of Your Shower Enclosure



WARNING: TO INSTALL ON CAST IRON, FIBERGLASS, ACRYLIC OR RESIN TUB OR SHOWER BASE-- Check with the tub or shower base manufacturer to determine the tooling required.

ASSEMBLY AND INSTALLATION INSTRUCTIONS:

Glasscrafters recommends the installation be performed by a trained installer.

- Read the manual and become familiar with the steps involved in installation.
- This product requires Two persons for safe installation.
- Always wear safety glasses during this installation.
- The proper dimensions for this installation were submitted at the time of order. The Glass Panel and Door may overlap to accommodate minor smaller opening. One end of the Horizontal Rail may be cut with a hacksaw for stainless steel, but it must fit completely in the Horizontal Rail Mounting Brackets for a safe installation.

- When installing any mechanical parts through the pre-drilled holes in the glass door and panel be sure to use the gaskets and bushings supplied between any metal element and the glass. Do no over-tighten any fittings.
- The glass used in this enclosure is Tempered Safety Glass and features a Tempered Safety Glass logo. Do not install if Tempered Safety Glass logo is missing. Call Customer Service.
- Tempered Safety glass cannot be cut, ground, polished or manipulated in any way.
- If the installation is over ceramic tiles the wall Jamb must lay flat on these tiles for the entire height of the unit.
- Silicone Sealant is used to seal some parts during installation and the inside of the enclosure as shown in Detail #10. Do not caulk from the outside of the enclosure.

IMPORTANT:
Determine if your Tub/Shower Stall Enclosure ledge is Level and the Wall are plumb.

- **3/8" max. OOS (Out Of Square) for the Door Side;**
- **5/8"max. OOS (Out Of Square) for the Panel Side;**
- **3/8" max. OOS (Out Of Square) on the Bottom (Base) of the enclosure;**

If your unit is Out-Of-Square or Plumb greater than above STOP! and call Customer Service.
The Phone number is 1-888-683-1362 .

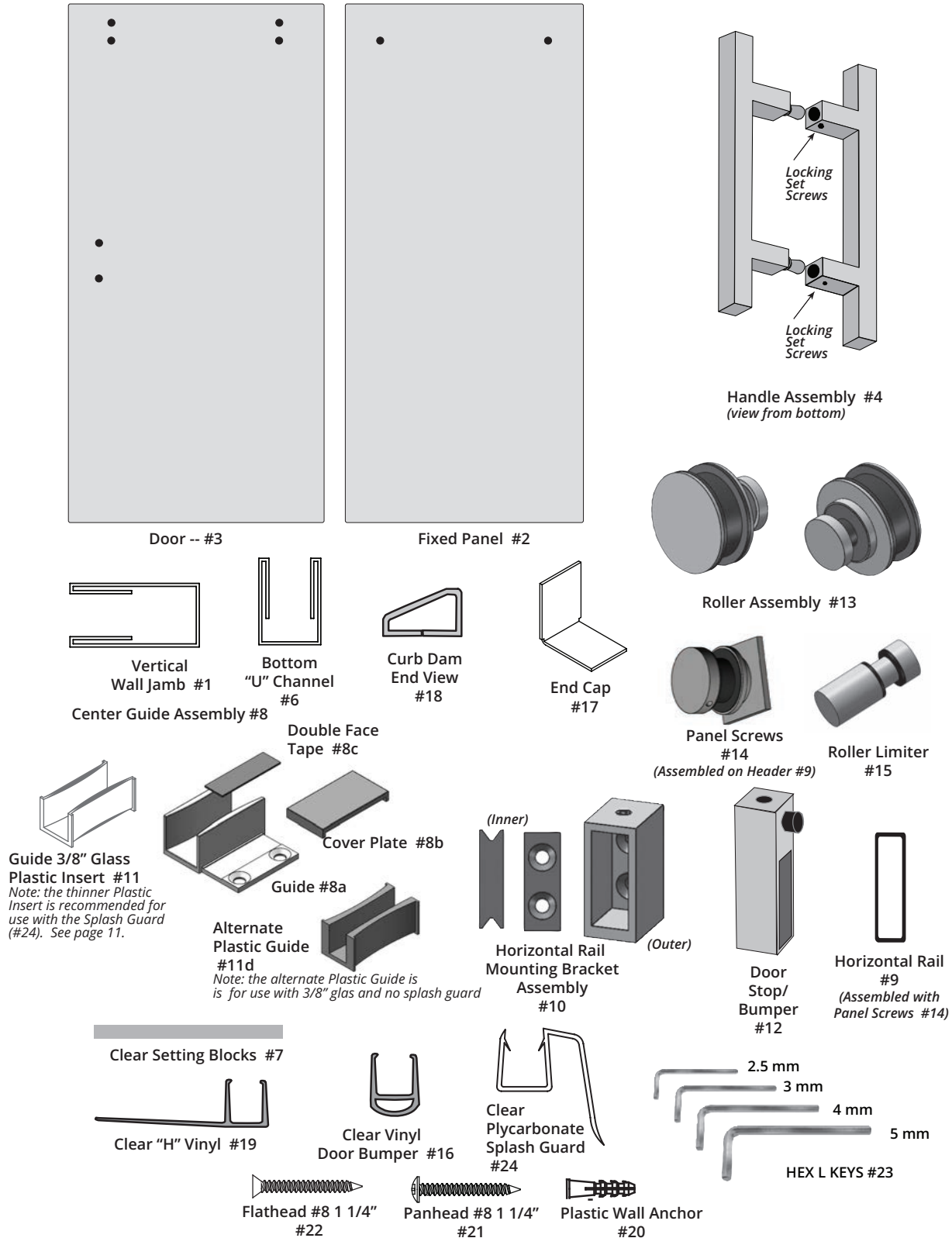
2 3/4" MINIMUM CURB WIDTH REQUIRED

When ordering replacement parts, please specify the Model Number, Item Number & Part Description. Save these Installation Instructions For Future Reference.

Write your Dealer information down on Notes Section in the back of this guide. Ask your Dealer for JOB LOG NUMBER (Lxxxxxx-xxx) Referencing to your shower enclosure.

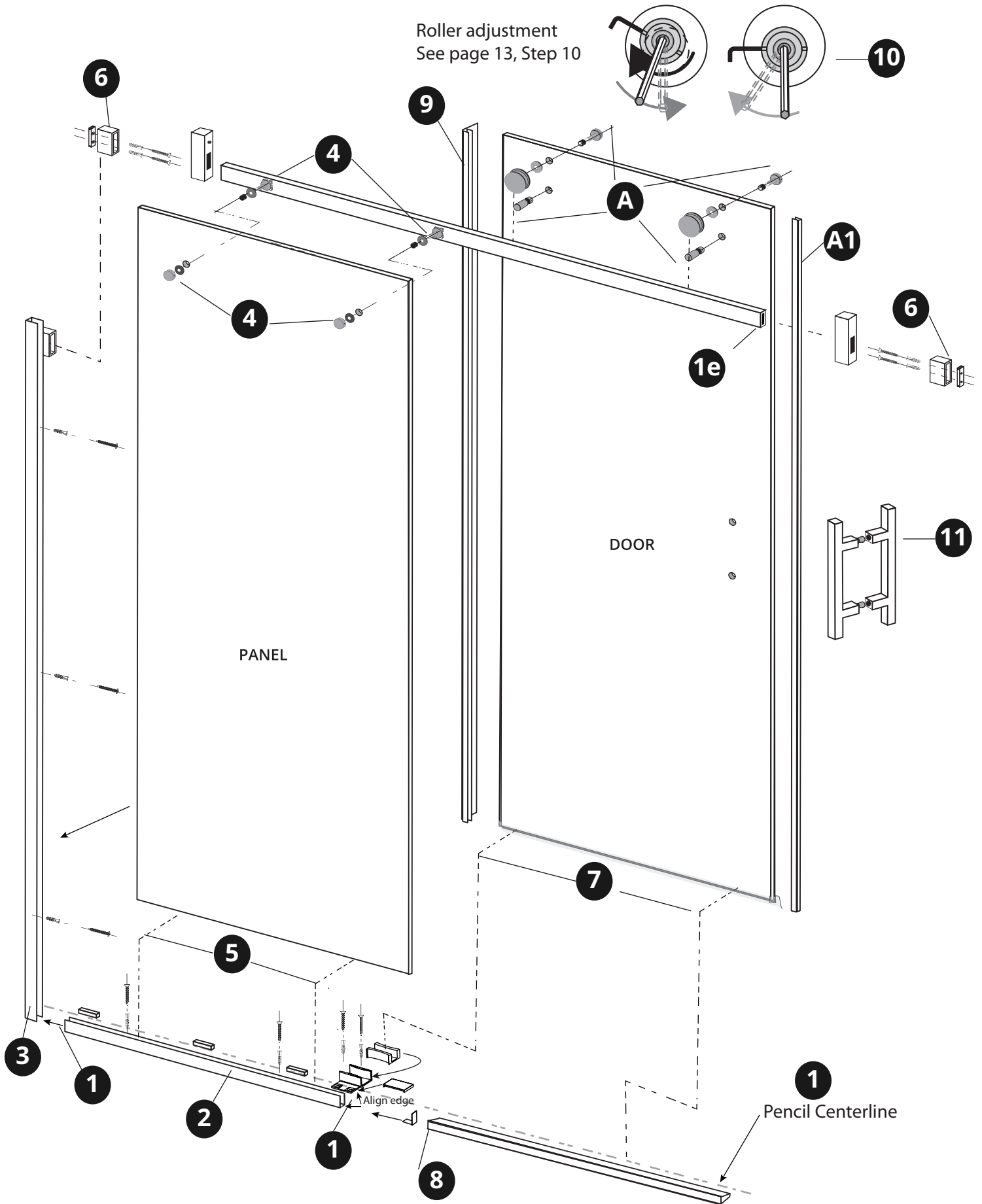
IMPORTANT: Read all instructions carefully and become familiar with all parts before installation.

- Unpacking:**
- A box cutter should not be use to open any box.
 - Please remove all staples from the box prior to unpacking metal and glass.
 - Stand Panels upright on a cushioned base, such as a piece of carpet or towel.
 - Do not remove corner protectors during staging of installation.
 - Never place glass directly on hard surfaces.
 - Any assembly that requires the panel to lay flat must be on a cushion surface.



Installation Overview --

Showing steps for installation. Refer to pages 6-15 for step-by-step installation descriptions.



Preliminary Steps: Inspect the complete product when opening the box to ensure that all parts are accounted for, intact and void of any damage from shipping.

STEP A -- Assemble the Door:

a) Stand the Glass door upright on a carpet or tarp cushion to protect the glass. Position with the inside of the door facing out. Have the second installer support the door during installation of these parts.

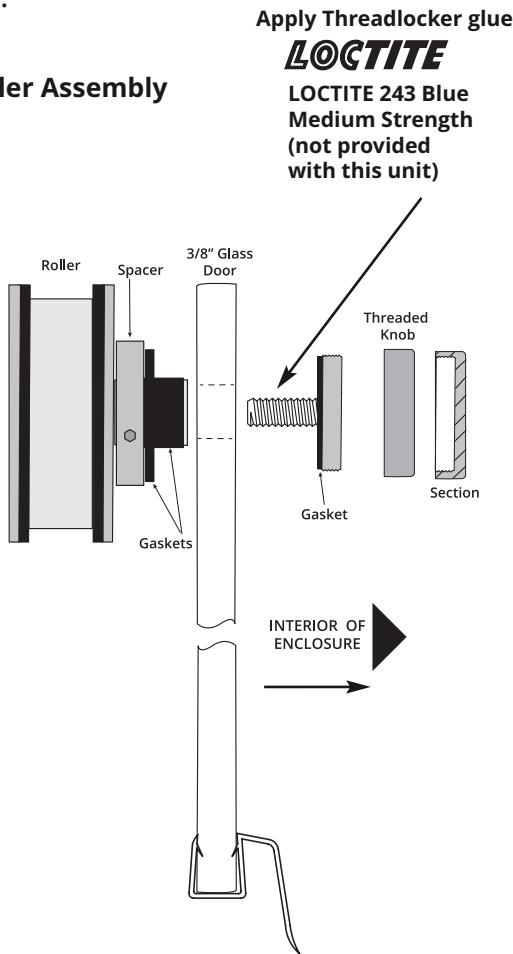
b) Install the Clear Vinyl Bumper on the handle side of the door. Use a rubber mallet to tap into place. Trim even with the glass top and bottom. (See Detail A1 below)

c) Install the Roller assembly in the top pre-drilled holes in the door. The Roller is on the outside face of the glass with the gaskets and plastic bushing between the metal parts and the glass. The adjustment mechanism nut are in the inside face. (See the Roller Assembly detail for parts assembly). (Reserve final adjustment of the roller assembly until after final installation of the door.)

d) Install the Bottom splash Guard on the door with the flange facing to the inside. Trim even with the glass.

NOTE: Assembled door must be placed inside the shower or tub before the fixed panel is finally installed. (see step 6.

Detail Roller Assembly

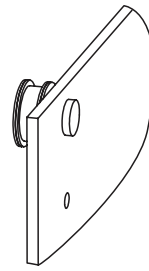


(Close-up view Bottom Splash Guard on Glass Door)

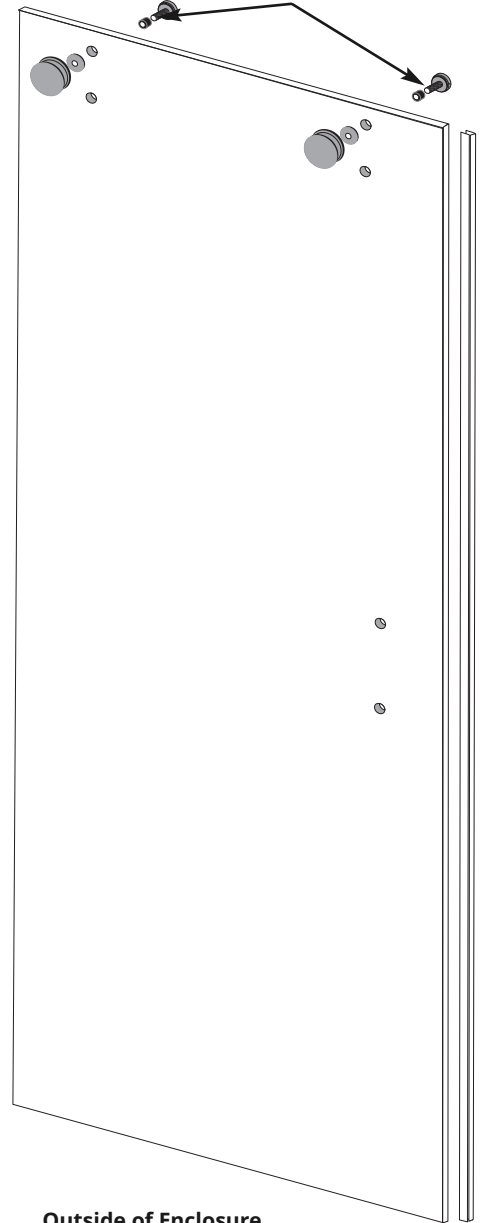
Detail Door Assembly

Apply Threadlocker glue

LOCTITE
LOCTITE 243 Blue
Medium Strength

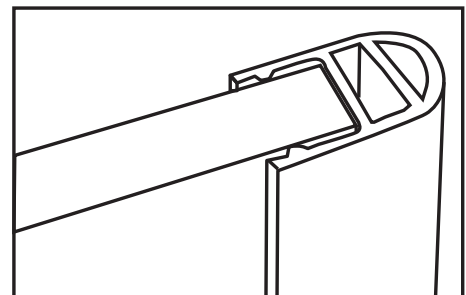


Inside view



Detail #A1

(Close-up view Clear Vinyl Bumper on Glass Door)



WARNING: TO INSTALL ON A CAST IRON, FIBERGLASS, GLASS TILE, ACRYLIC OR RESIN TUB OR SHOWER BASE
 Check with the tub or shower base manufacturer to determine the tooling required.

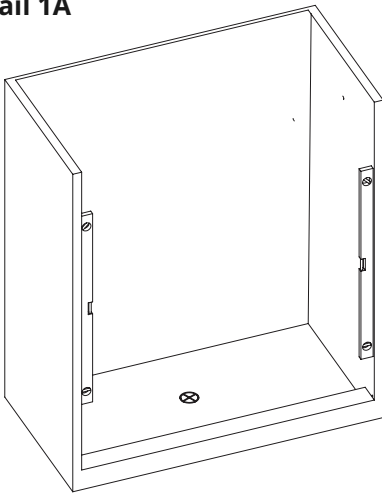
STEP 1. Determine the Plumb Condition of the opening: Use a level to determine that the enclosure is plumb on both sides.

Determine if your Tub/Shower Stall Enclosure curb is Level and the Wall are plumb.

- 3/8" max. OOS (Out Of Square) for the Door Side;
- 5/8" max. OOS (Out Of Square) for the Panel Side;
- 3/8" max. OOS (Out Of Square) on the Bottom (Base) of the enclosure.

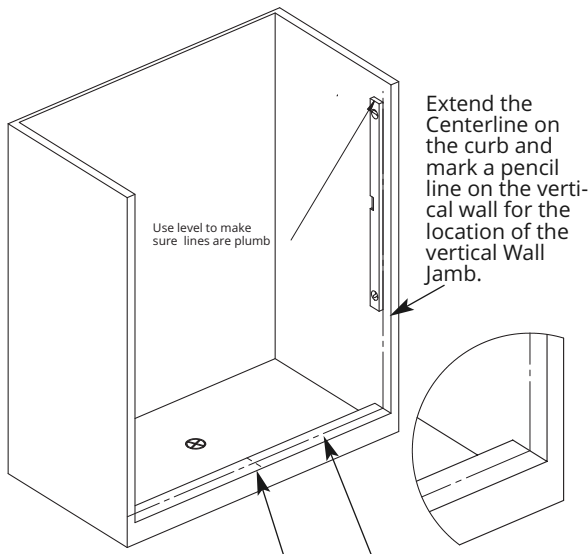
If any side is out of plumb more than the above STOP AND CALL CUSTOMER SERVICE.

Detail 1A



Detail 1B

Draw a pencil lines: 1) front to back on the exact center of the curb; 2) left to right across the curb; 3) plumb vertical from the curb on the wall opposite the spray head.



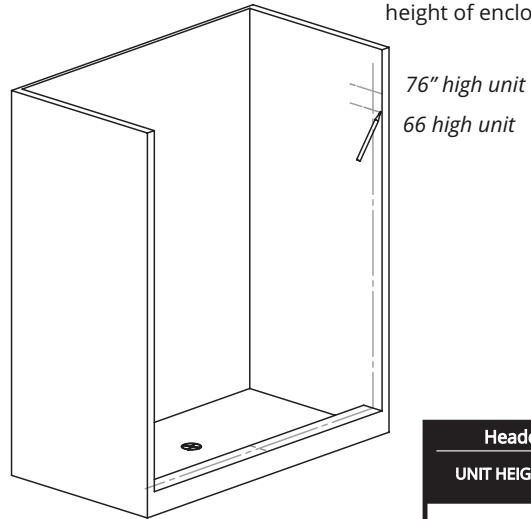
Find the Midpoint of the Curb and mark a pencil line from front to back

Find the Centerline of the curb and mark a pencil line from left to right.

Detail 1C

Using the penciled centerline on the wall use a level to recheck the exact vertical position. Mark the top height for the unit at 66" or 76".

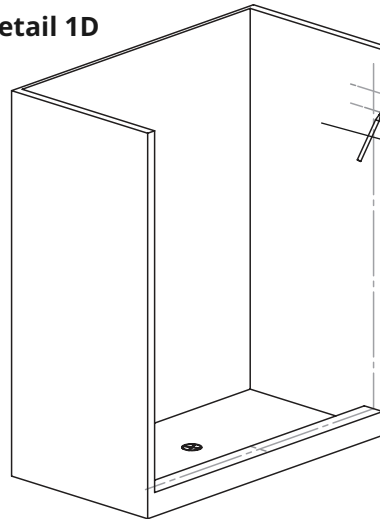
Mark for the finished height of enclosure



76" high unit
66" high unit

Header Bracket Baseline	
UNIT HEIGHT	BRACKET BOTTOM HEIGHT MARK
76"	71 7/8"
66"	61 7/8"

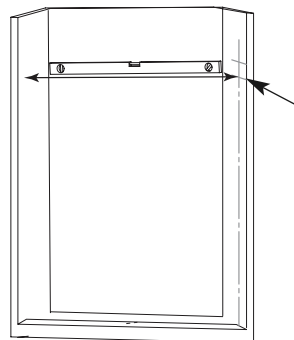
Detail 1D



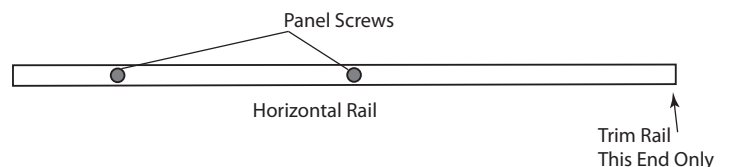
4 1/8"
Mark for bottom of Wall Bracket 4 1/8" below the mark for the unit height

STEP 1E. Measure and Cut the Header to size

Using the mark for the bottom of the bracket measure the width of the opening for the header location. Use a level to check the exact vertical position for the width. Subtract 3/8" to 1/2" from this width to allow for the brackets. Mark and cut the header. (Header does not install until Step 6.)



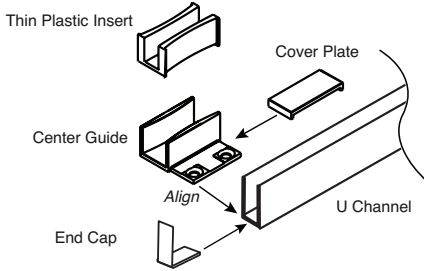
- Use the mark for bottom of Wall Bracket.
 - Measure the width of the unit the level height.
 - Subtract 3/8" to 1/2" and mark this reduced width on the header and cut the end of the header opposite the holes for the fixed panel with a hacksaw.
- NOTE: take care with the stainless steel cladding on the Header that it does not bend or scratch.



CUT ONLY DOOR SIDE OF THE HORIZONTAL RAIL, NOT THE PANEL SIDE

STEP 2 -- Install the Bottom "U" Channel and Center Guide:

- a) Using the centerline on the base as a guide, place the Bottom "U" Channel on the base on the outside of the centerline. The end of the U Channel should touch the wall marked for the wall channel. The plumb line mark on the wall opposite the shower head will be the guide for the wall channel.
- b) Align the outside edge of the Center Guide to butt against and align with the Bottom "U" Channel. Mark the locations for the screw holes in both predrilled parts.
- c) Move the parts aside and drill the holes. Use the proper bit for the enclosure materials
- d) Put a small amount of silicone sealant in each hole, insert the plastic wall anchor. Clean the top of the base of all debris. Put a thick, continuous bead of Silicone Sealant on the underside of the Bottom "U" Channel and the Center Guide. Also apply a bead of silicone sealant to the end of the Bottom "U" Channel on the wall side before it is installed. (Detail #2d). Screw both parts into place with the #8 1 1/4" flat head screws (#22).



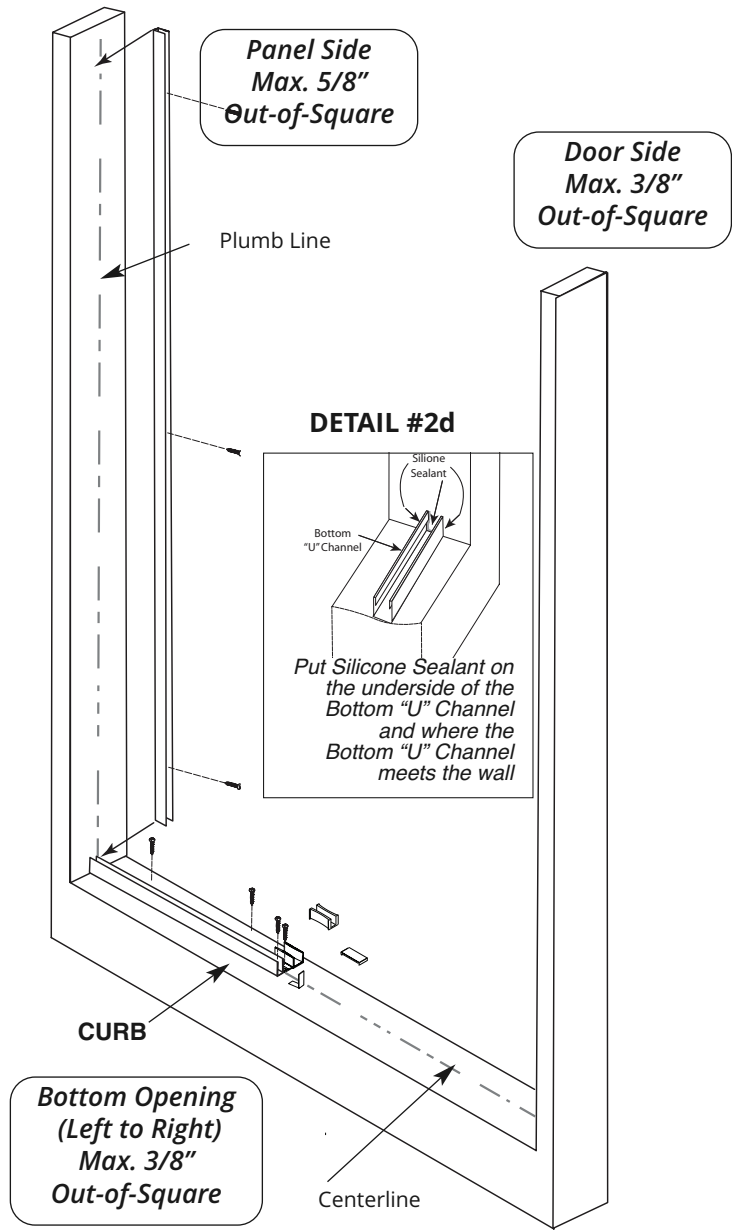
- e) To complete the installation of the Center Guide apply the double face tape supplied to the areas around the screw holds, remove the tapes second side covering and press the cover plate into place. Be sure that the thin plastic insert (#11) for the glass is inside the Center Guide.

STEP 3 -- Install the Vertical Wall Jamb for the Fixed Panel:

- a) Position the Vertical Wall Jamb on top of the Bottom "U" Channel as installed. It must align to the outside of the marked plumb line and be directly over the Bottom "U" Channel. (Detail #3). Recheck for level and plumb.
- b) Mark the position for the pre-drilled holes in the level and plumb Vertical Wall Jamb. Set jamb aside and drill using proper bit for the enclosure materials. Clean the surface of debris, add a small amount of silicone sealant in each hole and then insert the plastic wall anchors.
- c) Place the Vertical Wall Jamb on the Bottom "U" Channel aligned directly over the Bottom "U" Channel. Screw into place with three #8 1 1/4" panhead screws (#21).

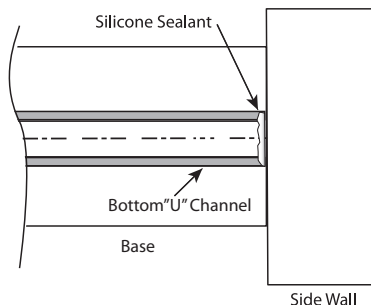
(NOTE: complete sealing of the inside of the unit will be done as the final step).

DETAIL #2



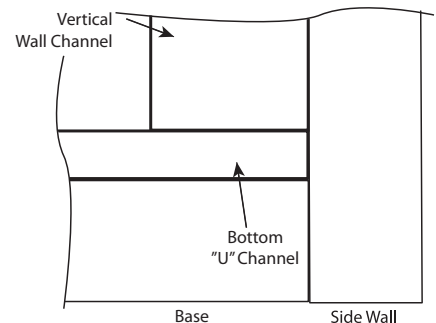
DETAIL #2d

Top View of Bottom "U" Channel (Step 2d)



DETAIL #3

Side View of Vertical Wall Channel (Step 3a)

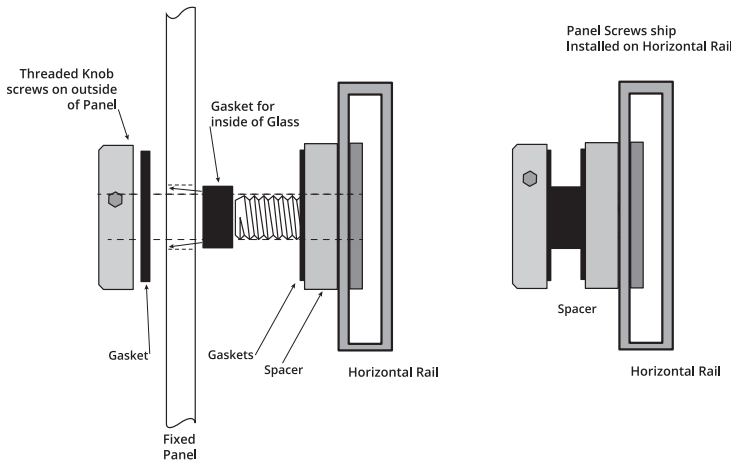


STEP 4 -- Assemble the Horizontal Rail on the Fixed Panel for position:

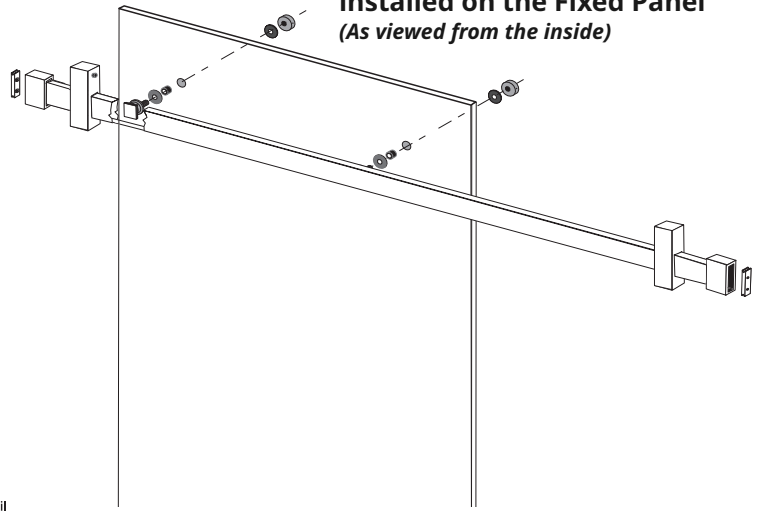
a) The Panel Screws are shipped in position on the Horizontal Rail. Unscrew to assemble the Horizontal Rail on inside of the fixed glass panel.
(See Details 4a & 4b).

Attach the Horizontal Rail to the Fixed Panel on the inside face using the two Panel Screw Assembly sets supplied pre-installed on the Horizontal Rail. (See detail #4) Be sure the assembly is secure and tighten the set screw on the Panel Screws with the Allen Wrench supplied.

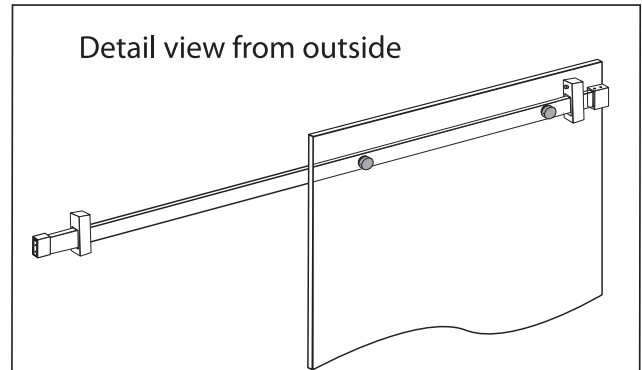
Detail 4b -- Test Fit of Assembled Horizontal Rail



DETAIL #4a-- Horizontal Rail installed on the Fixed Panel (As viewed from the inside)

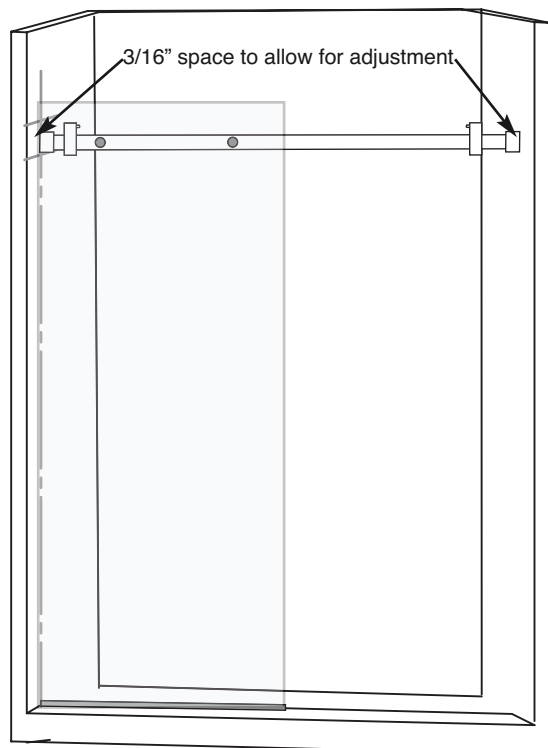


Detail view from outside

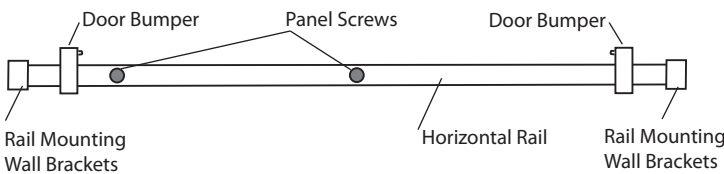


Next, slide both Door Stop/Bumpers on the Horizontal Rail, one at each end of the Horizontal Rail with the rubber bumper facing to the middle. Temporarily tighten to hold in place. Then slide the Horizontal Rail Mounting Wall Brackets fully on both ends of the Horizontal Rail and tighten into place. Test fit the assembly next to the bottom U Channel and in the Wall Channel. It should fit in the opening with not more than 3/16" space at either end to allow for adjustment within the wall bracket. Move outside the unit and stand the glass on a carpet or padding to protect the glass.

DETAIL #4d -- Test Fit the Header and Fixed panel



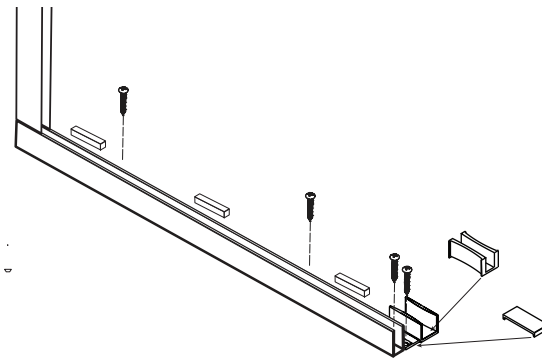
DETAIL #4c -- Assemble The Header for test fit



STEP 5 -- Set the Fixed Panel for position:

Place the clear Setting Blocks in the Bottom "U" Channel, evenly space about 2" from each end. Do not place on top of any of the screw heads. Two persons should be used to lift the assembled Fixed Panel to fit the panel in the Threshold and slide the panel into the Vertical Wall Jamb.

DETAIL #5a -- Clear Setting Blocks



STEP 6 -- Installation of the Horizontal Rail Wall Mounting Brackets:

Check for level and Plumb position.

a) Using a pencil, mark the outline of both the left and right Horizontal Rail Mounting Wall Brackets.-

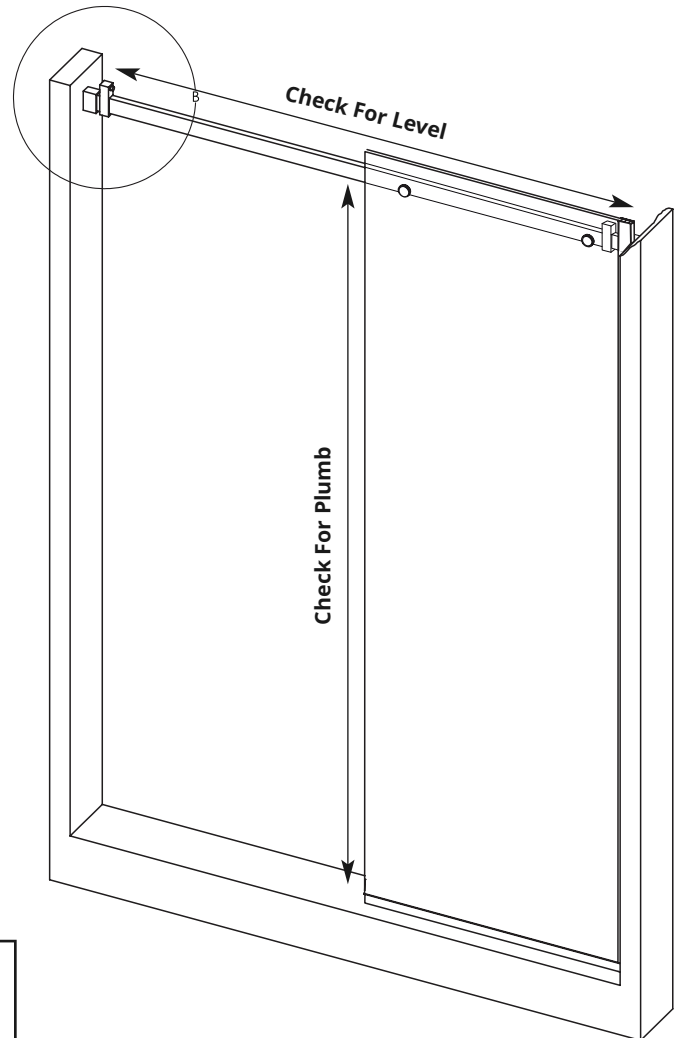
b) Remove the assembled Fixed Panel with the Horizontal Rail and lean against a wall outside of the enclosure. Stand the glass on a carpet or padding to protect the glass.

c) Loosed the set screw on the top and remove the Mounting Brackets from the Horizontal Rail. Place the Mounting Brackets in the outlines as marked on the wall and mark for the screw locations. Drill the holes. Use the proper bit for the enclosure materials. Place a small amount of silicone sealant in the holes and inset the plastic anchors. Screw the inner Wall Brackets into place using the #8 1 1/4" flat head screws (#22).

d) Assemble the Rollers on the Door. (The Anti- Lift Standoffs are installed after the Door is installed on the Rail.)

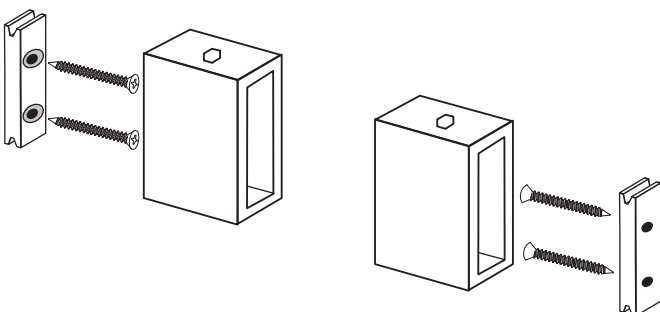
e) VERY IMPORTANT— MOVE THE ASSEMBLED DOOR into the enclosure with the Rollers facing to the outside of the shower. Place the glass door on a rug or padding to protect the glass. (The side with the holes for the Handle should be on the side opposite the Fixed Glass Panel.)

DETAIL #6a -- Mark the positions for the Horizontal Rail Mounting Wall Brackets



f) Return the outer Mounting Brackets to each end of the Horizontal Rail. Replace the Fixed Panel in position in the Vertical Wall Jamb and Bottom "U" Channel. Slide the outer part of both Horizontal Rail Mounting Brackets flush to the wall over the inner portion as mounted in the wall. Re-check for level and plumb and fix into place with the set screws and Allen Wrench provided.

DETAIL #6b -- Inner portion of Horizontal Rail Wall Mounting Bracket as affixed to the wall in the marked positions.



STEP 7 -- Install the Door from the Inside of the Unit:

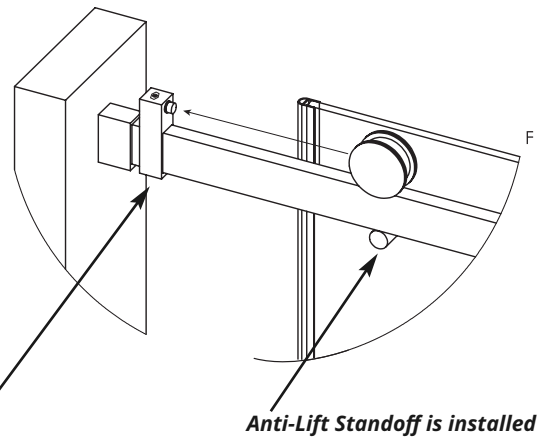
Two persons should be used to lift the Door onto the Horizontal Rail. The bottom of the door goes in the Plastic Insert in the Center Guide. Install the Anti-Lift Standoff Assemblies in the pre-drilled holes in the door below the Horizontal Rail. The Anti-Lift Standoff threaded knob inserts from the inside. Be sure to use the gaskets between the knobs and the glass as well as the plastic bushing within the hole to protect the glass. Screw the Anti-Lift Standoff Assemblies in place hand tight.

(Final installation with the set screw is completed in Step #10 after the roller adjustment procedure.)

7b) Move the door to the closed position and then relocate the Door Stop/Bumper to the proper location against the roller when the clear vinyl bumper makes contact with the wall.

7c) Move the door to the fully open position and relocate and set the Door Stop/Bumper to prevent the door handle from hitting the panel and/or to prevent the door glass from hitting the wall.

DETAIL #7a



Using the set screw at the bottom fix the Door Stop/Bumper in position

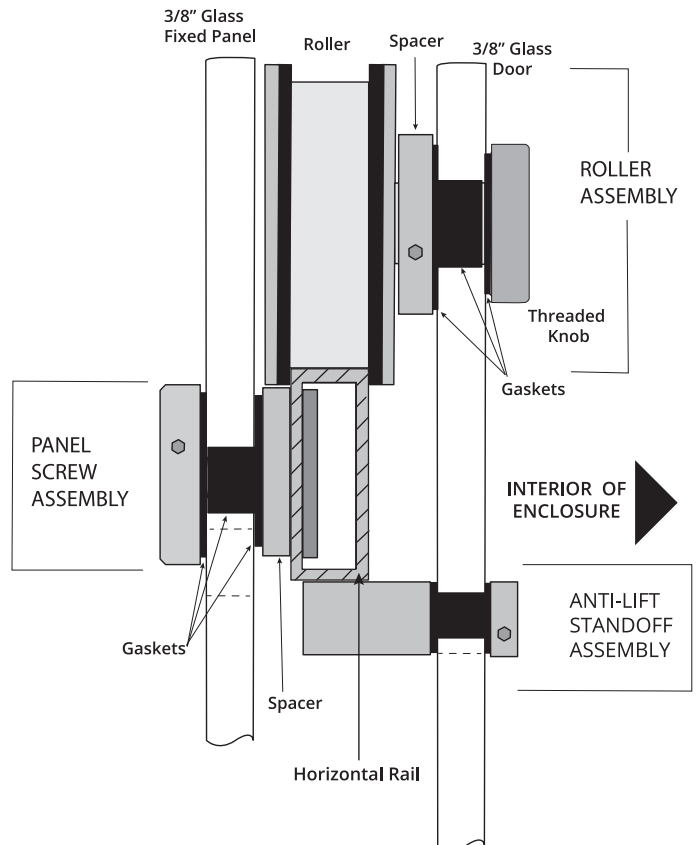
Anti-Lift Standoff is installed on the Door under the Horizontal Rail to prevent unmounting of the door. Do Not tighten in place until after the roller adjustment in Step #10.)



DETAIL #7
(As viewed from the outside)

DETAIL #7b

(Panel with fittings as viewed from the side)

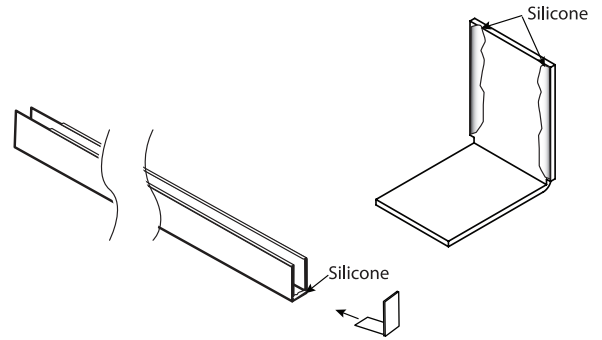


STEP 8 -- Install the End Cap and the Curb Dam:

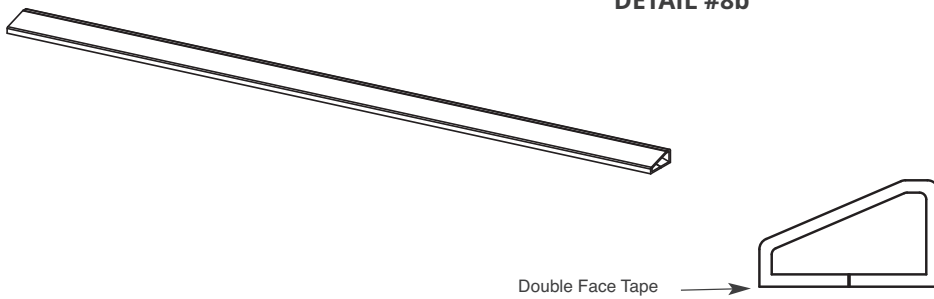
a) To Install the End Cap first put a bead of Silicon Sealant inside the base of the end of the U Channel. Add sealant to the inside face of the vertical part of the End Cap. Slide the End Cap into the U Channel and press firmly into place.

b) Place the Curb Dam into position in front of the U channel to butting the wall. Mark the Curb Dam to fit and cut to size with a stainless steel hacksaw. Test fit and mark the curb end position on the wall, parallel with the centerline. Place a small amount of silicone sealant on each end. Wipe the base clean of all debris. Clean surface with denatured alcohol. (Do Not remove the pencil marks for the outside of the Curb Dam.) The Curb Dam comes with Double Face Tape on the bottom, peel away the paper covering place in position to your marks and press into place as aligned with the marks and the End Cap.

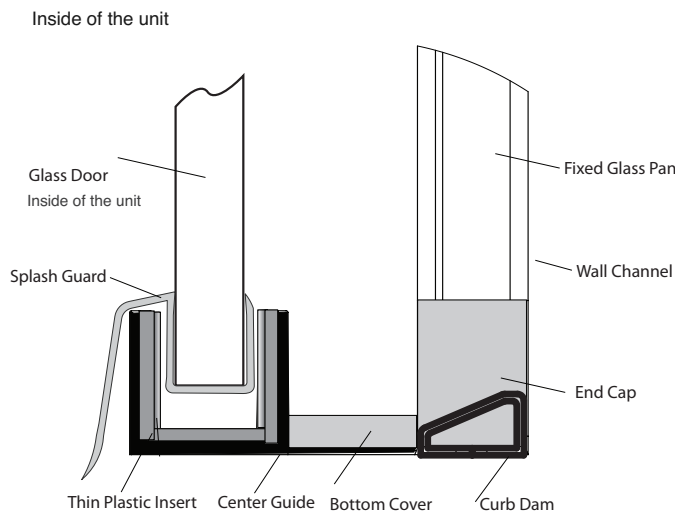
DETAIL #8a



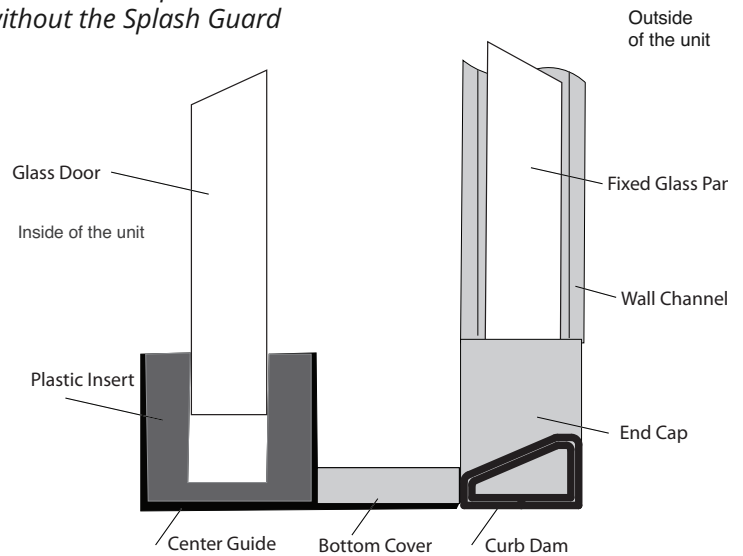
DETAIL #8b



DETAIL #8c— Section view showing the recommended upgrade with the Installation of the Splash Guard as shown in Step 1.



DETAIL #8d— Special Installation without the Splash Guard

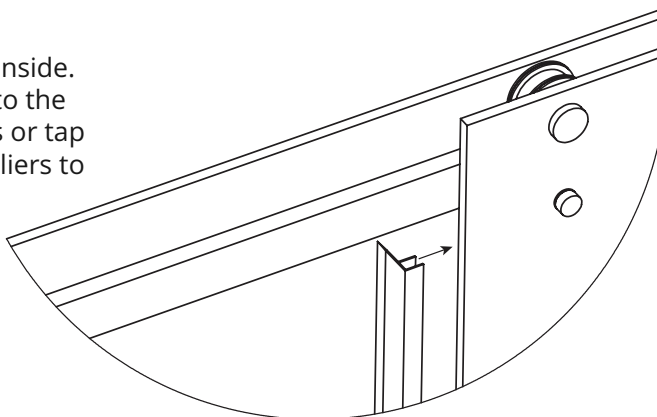


Recommended upgrade—replace the plastic insert with the thinner insert when using the optional Poly Bottom Splash Guard (See Detail 12D)

If you have chosen not to install the upgrade in Step 1 and now find that there is excessive splashing or leaks a Splash Guard is supplied for the door bottom. To install this part: a) remove the door; b) cut to size and install the Splash Guard on the bottom of the glass; c) switch the plastic insert in the Center Guide for the one supplied with thinner walls; d) reinstall the Door.

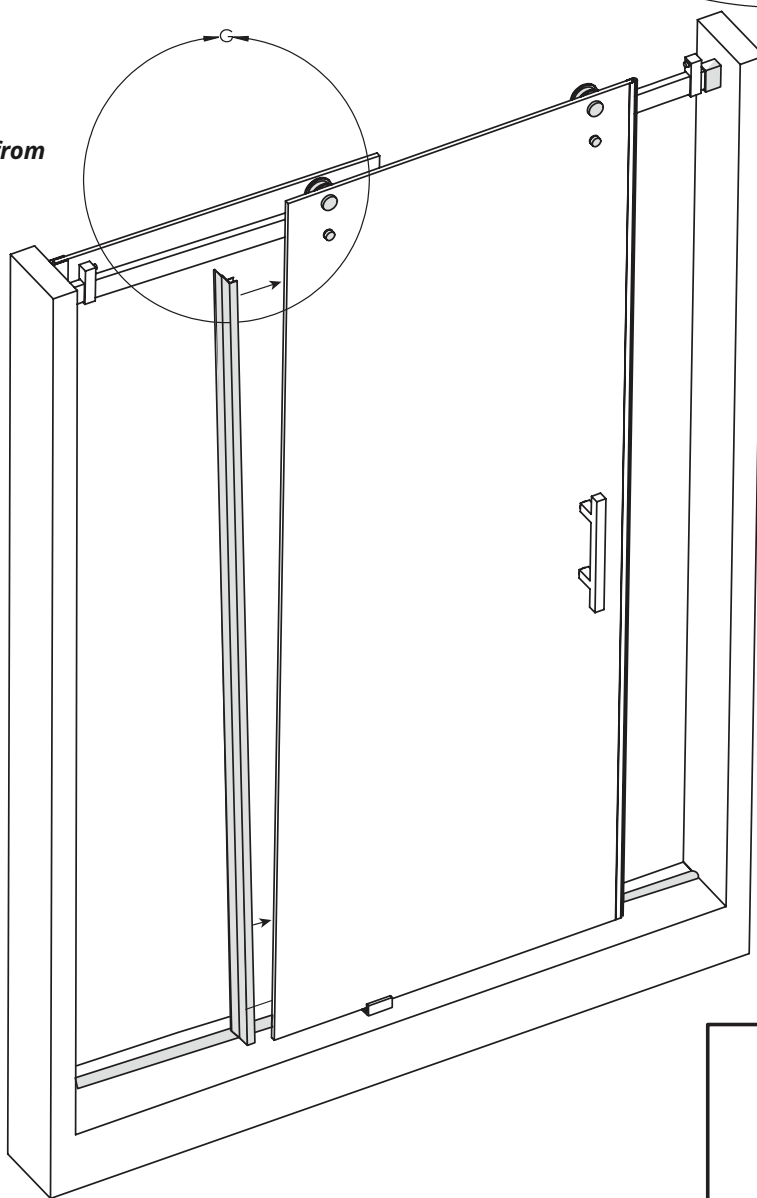
STEP 9 -- Install the Clear "H" vinyl:

To install the "H" Clear Vinyl on the Door from the inside. Begin at the bottom edge with the flange pointing to the space between the Door and the Fixed Panel. Press or tap into place with a Rubber Mallet. Trim with cutting pliers to fit just below the Horizontal Rail.

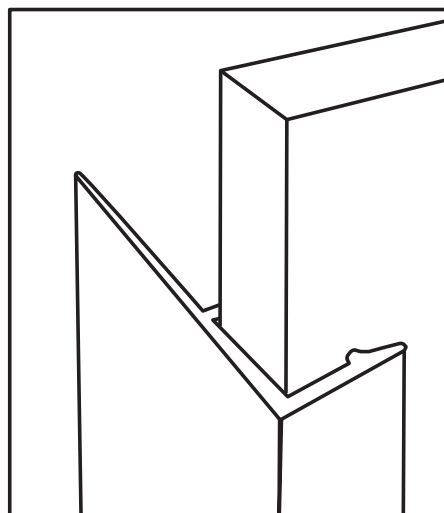


DETAIL #9a
(As viewed from the inside)

DETAIL #9
(As viewed from the inside)



DETAIL #9b Clear "H" Vinyl
(As viewed from the inside)



STEP 10 -- Adjust Roller Height:

Remove the Threaded Knob covering the Roller mechanism on the inside of the unit. Using the 2mm Hex Wrench in the Hex Slot position on either side of the Spacer hold the assembly in position while loosening the locking nut as shown below with the 4mm Hex Wrench.

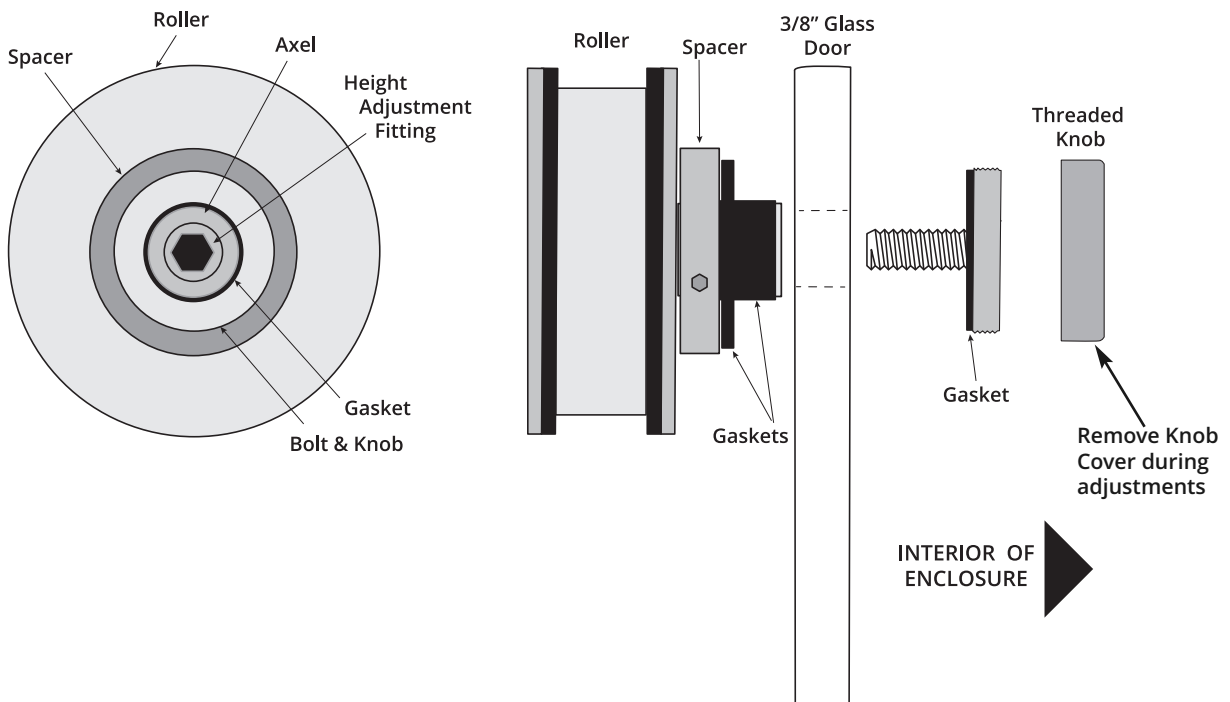
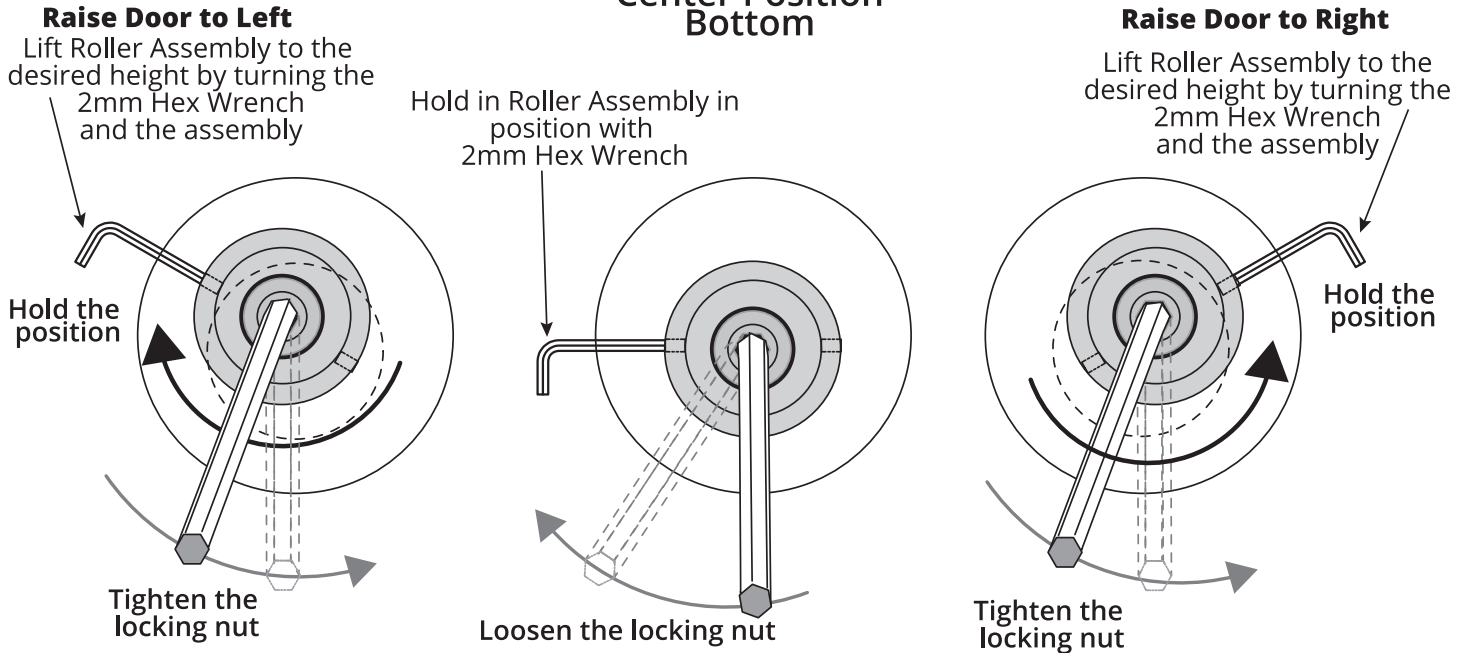
Using the 2mm Hex wrench turn the Roller on the Axel to lift and adjust the door for level. Hold in place and tighten the Locking Nut.

Remove the Hex Wrenches and replace the Threaded Knob.

(Do Not Over-tighten the Locking Nut or the Threaded Knob.)

DETAIL #10

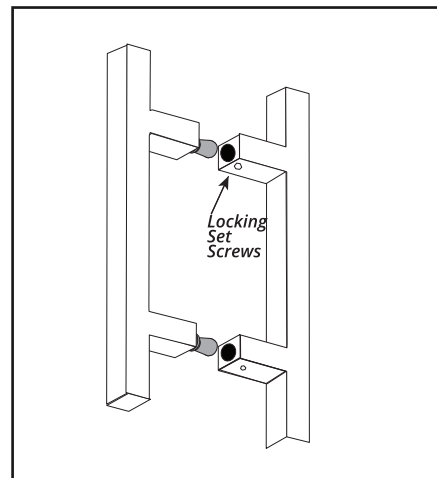
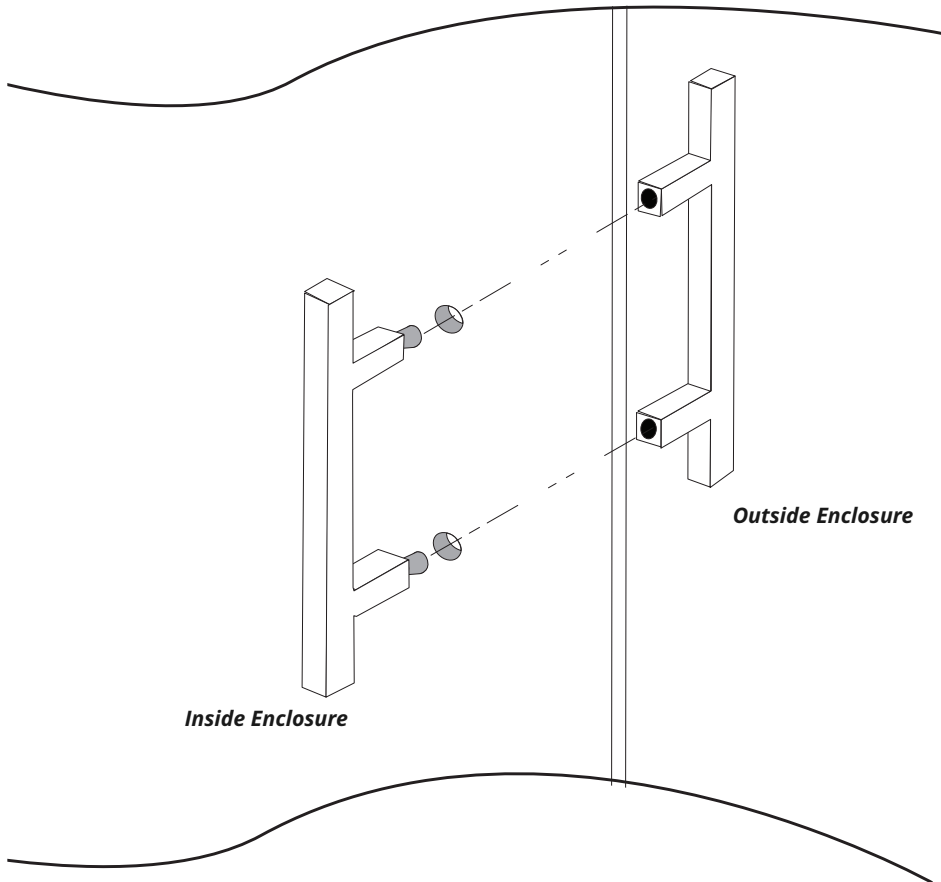
Shown from Inside the Unit as installed on the door



STEP 11 -- Install the Handle:

Insert the inside portion of the Handle (the part with the tapered knob) through the glass into the outer handle. Use vinyl gaskets and bushings to protect the glass. Use the proper Hex "L" wrench to tighten the set screws in the outer Handle to fix the Handle to the Door.

DETAIL 11 -- Installing the Handle
(As viewed from the inside)



DETAIL 11b
*(Handle Shown from Below.
The set Screw is on the outside.)*

STEP12 -- Seal from the inside with Silicone:

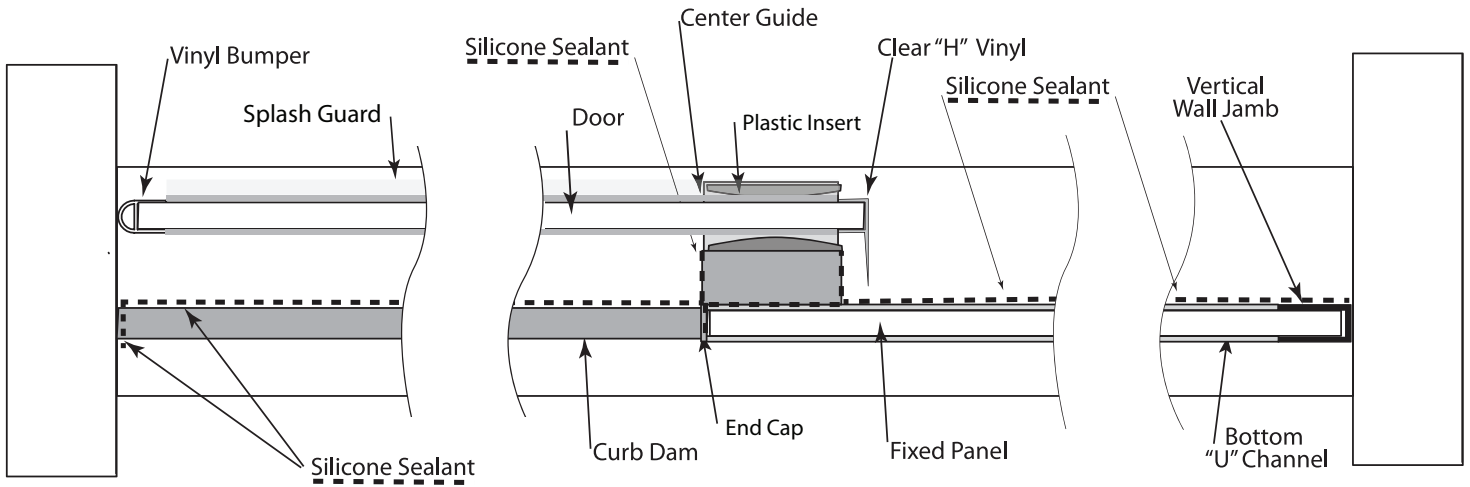
Apply Silicone Sealant along the inside face of the Vertical Wall Jamb, Bottom "U" Channel, Curb Dam and the seam between the Cover Plate and the U Channel as per the drawing and details #12.

(No sealant is required on the Center Guide.)

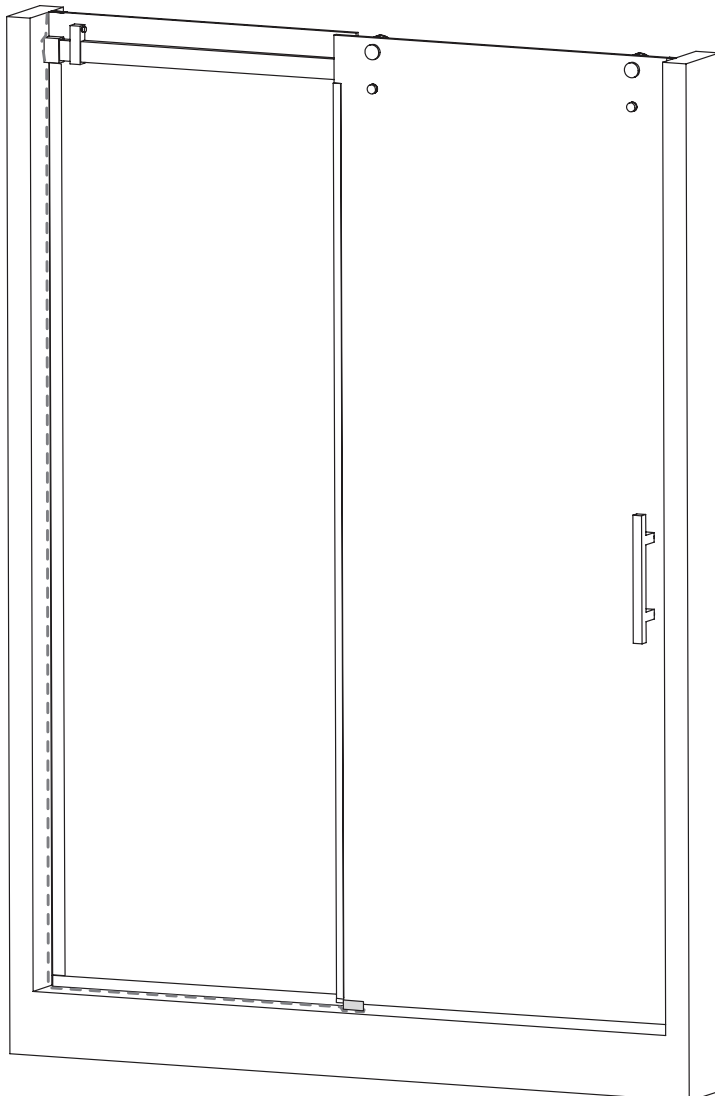
Let cure for 24 hours before use.

DETAIL #12 -- Caulking Top view

INSIDE OF ENCLOSURE



**DETAIL #12a --
Sealing the Wall Jamb and Curb Dam**



Silicone Sealant is shown here as applied to the INSIDE of the unit.

Acero Series Models

Catalog Number PSS- Polished Stainless Steel
 BSS Brushed Stainless Steel
 IBK Iron Black
 ORB Oil Rubbed Bronze

Shower Enclosures

	Metal Finish
AS-60T-38	PSS
AS-60T-38	BSS
AS-60T-38	IBK
AS-60T-38	ORB
AS-54T-38	PSS
AS-54T-38	BSS
AS-54T-38	IBK
AS-54T-38	ORB
AS-48T-38	PSS
AS-48T-38	BSS
AS-48T-38	IBK
AS-48T-38	ORB

Tub Enclosures

	Metal Finish
AT-66T-38	PSS
AT-66T-38	BSS
AT-66T-38	IBK
AT-66T-38	ORB
AT-60T-38	PSS
AT-60T-38	BSS
AT-60T-38	IBK
AT-60T-38	ORB

NOTES:

Model Number... _____

Dealer _____

Job Log # _____

CLEANING INSTRUCTIONS:

Never use scouring powder, pads or sharp instruments on metal work or glass panels. We recommends the use of a squeegee after each shower to eliminate water spots on the inside of the glass panels. An occasional wiping down on the glass panels an metal parts with a mild detergent, diluted in water, is all that is need to keep your Shower/Tub enclosure looking brand new.

Cleaning Recommendations:

Never use abrasive cleaners or cleaners containing ammonia. This may cause chemical damage .

For cleaning, we recommend using ammonia free Sprayway brand glass cleaner, which is available at a variety of retail outlets.
www.spraywayinc.com/content/glass-cleaner



GLASSCRAFTERS, INC
 193 Veterans Blvd., Carlstadt, NJ 07072

1+(888) 683-1362 (F) (201) 525-1117
sales@glasscraftersinc.com